

Nothing expresses warmth better than the full-featured, high performance BIS ULTIMA.

1. Single door provides an unobstructed view of the flames
2. Decorative louvers and picture-frame contour enhance aesthetic appeal
3. Textured refractory-lined firebox creates a traditional masonry appearance
4. Elegant heat-resistant handle
5. Double, all-in-one air combustion control with air boost provides variable heat output as well as better wood ignition, combustion and consumption
6. Knock-outs on sides and back make for easy connection to forced air system (Canada only)



HOMES OF DISTINCTION PROJECT WARMTH AND NOTHING EXPRESSES AND ENHANCES WARMTH BETTER THAN A BIS ULTIMA. WITH ITS SINGLE DOOR DESIGN AND ELEGANT STYLING, THIS TOP-OF-THE-LINE, EASY-TO-INSTALL, EPA-APPROVED AND WASHINGTON STATE-APPROVED WOOD-BURNING FIREPLACE MAKES ANY ROOM INTO A SHOWPLACE. BUT AESTHETIC APPEAL IS ONLY HALF THE STORY. LIKE THE REST OF THE MARKET-LEADING BIS FAMILY, THE BIS ULTIMA IS ALSO A TOP PERFORMER. FEATURES SUCH AS AN

AIRTIGHT COMBUSTION CHAMBER FOR MAXIMUM WOOD-BURNING EFFICIENCY, AND A DOUBLE AIR COMBUSTION CONTROL WITH AIR BOOST FOR VARIABLE HEAT OUTPUT AND BETTER WOOD IGNITION, EFFICIENT COMBUSTION AND CONSUMPTION SET IT APART. THE BIS ULTIMA ALSO INCORPORATES CERAMIC GLASS FOR OPTIMUM HEAT TRANSFER, AND A UNIQUE AIR WASH SYSTEM THAT HELPS TO KEEP THE GLASS CLEAN. EMBRACE THE BIS ULTIMA AND WATCH IT BRING A WHOLE NEW WORLD OF WARMTH AND BEAUTY TO YOUR HOME.



EXPERIENCE THE WARMTH

**BIS**  
*Ultima*

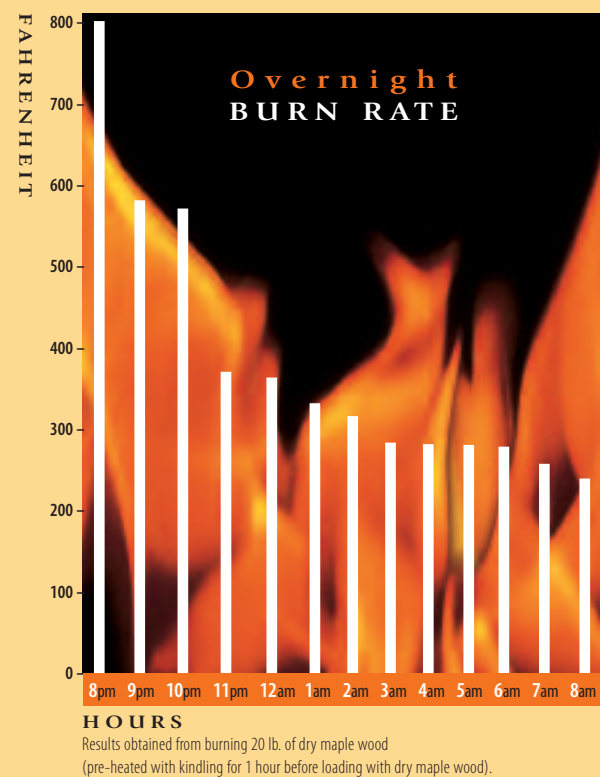
The ultimate in energy-efficient, wood-burning fireplaces from the top-of-the-line member of the industry-leading BIS family



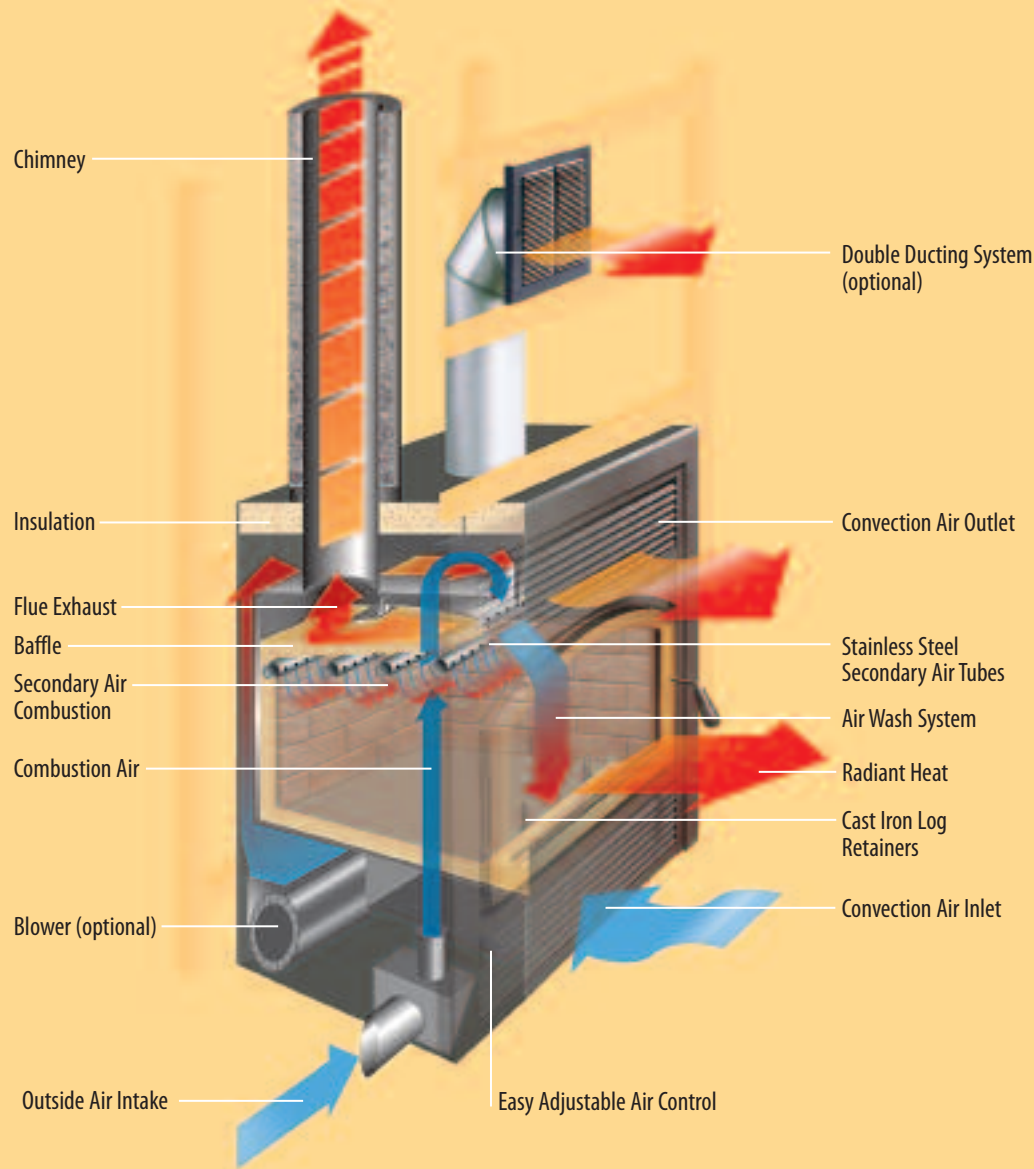
Nothing expresses warmth better than the full-featured, high performance BIS ULTIMA.

Engineered with a secondary burn for the burn-off of gases, the BIS ULTIMA offers maximum energy efficiency while consuming the least amount of fuel. It's an investment that virtually pays for itself over time.

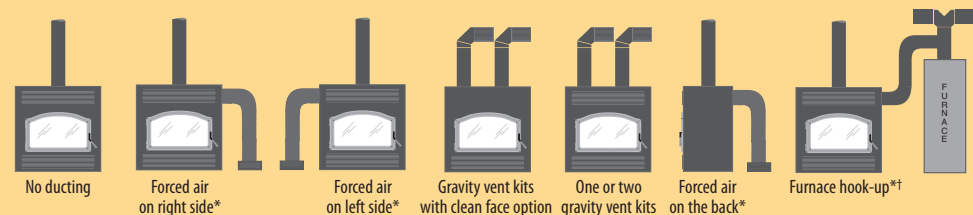
Square feet heating capacities are approximations only. Actual performance may vary depending upon home design and insulation, ceiling heights, climate, condition and type of wood used, appliance location, burn rate, accessories chosen, chimney installation and how the appliance is operated.



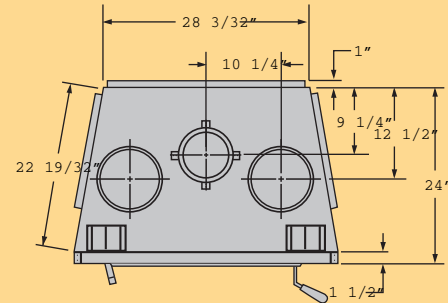
# ENGINEERED TO BE THE BEST



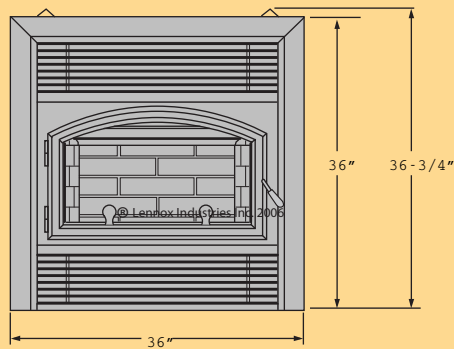
Thanks to a versatile VENTING SYSTEM, the BIS ULTIMA can be connected in a variety of venting configurations. In fact, the BIS ULTIMA can be set up in any area of your home, whether upstairs, downstairs or both.



TOP VIEW



FRONT VIEW



**IMPORTANT NOTES:**

As with any heating appliance, fireplace or stove, this appliance is extremely hot during operation. Read and understand all operating instructions before using this appliance. For further information, consult your dealer.

Actual performance may vary depending upon home design and insulation, ceiling heights, climate, condition and type of wood used, appliance location, burn rate, accessories chosen, chimney installation and how the appliance is operated.

Diagrams, illustrations and photographs are not to scale - consult installation instructions. Product designs, materials, dimensions, specifications, colours and prices are subject to change or discontinuance without notice.

\*Canada only

†Not approved in some areas, refer to local building authorities before installation.

Air-cooled chimney not recommended for use at elevations above 4,000 feet or in climates where temperatures will fall below 32°F Fahrenheit (0°C Celsius)

# THE ULTIMATE IN BEAUTY & EFFICIENCY



**STANDARD FEATURES:**

- Single door (European cast iron) for unobstructed view of the fire
- Ceramic glass for safety and optimum heat transfer
- Two door styles—Victorian or Contemporary—in 24k Gold Plated, Brushed Nickel or Black
- Efficient air wash system keeps the glass clean
- Firebox insulated on top and on the sides
- Decorative louvers
- Decorative cast iron log retainers
- Textured refractory-lined firebox recreates a traditional masonry appearance
- Airtight combustion chamber for maximum efficiency
- Double Air Combustion Control (all-in-one)
  - Main control for variable heat output and wood consumption
  - Air Boost Control for faster wood ignition and efficient combustion
- Knock-out on sides and back for easy connection to forced air system\*
- Elegant heat-resistant handle always cool to the touch
- Outside air kit

**SPECIFICATIONS:**

- Zero clearance to combustible material
- Maximum heat efficiency up to 72%
- BTU/hr 55,000
- Chimney 6" I.D. Model ASHT+, S-2100+ or Air-Cooled
- Masonry installation with TUBINOX rigid stainless steel liner (optional)
- Burn time 6 – 8 hours
- Overall firebox capacity 2.00 cu. ft.
- Log size 20"
- Warnock Hersey approved to ULC S610 and UL 127 standards
- EPA approved and Washington State approved 3.7 g/hr
- Listed for use in manufactured/mobile homes
- Can heat up to 1,000 – 1,500 sq. ft. (refer to overnight burn rate chart)

**OPTIONS:**

- Blowers
- Rigid firescreen
- Clean face option
- Forced Air Heating Kit for furnace hook-up (not EPA approved)\*
- Gravity Kits
  - Double duct in Brass or Black
  - Single duct in Brass or Black

\*Canada only

**SECURITY CHIMNEYS INTERNATIONAL**

Security Chimneys International Ltd.  
2125 Monterey, Laval (Québec)  
Canada H7L 3T6  
Tel.: (450) 973-9999  
Fax: (450) 973-2222  
www.SecurityChimneys.com



Printed in Canada  
ABISULTIMA  
08-2007  
REV. 5

© Lennox Industries Inc. 2007

Authorized Dealer