

The design of the BIS Ultra is an inspirational balance of form and function.

1. Double doors or firescreen* open up to provide a panoramic view of the flames
2. Ash drawer is designed for neater, easier cleaning
3. Air-intake lever allows better combustion control, producing 11,300 BTU/hr to 41,500 BTU/hr. (BTU/hr according to EPA tests with softwood and without supplying more wood. Testing purposes only.)



*Firescreen optional Canada only.

LET THE FEELING OF WARMTH WRAP ITSELF AROUND YOU. THE BIS ULTRA (BUILT-IN-STOVE) WOOD-BURNING FIREPLACE NOT ONLY OFFERS AN ELEGANCE THAT DISTINGUISHES IT FROM THE REST, BUT IT ALSO REPRESENTS A HIGHER STANDARD OF ENERGY EFFICIENCY AND PERFORMANCE. DELIVERING UP TO 50,000 BTUs AND A BURN TIME

OF 8 TO 10 HOURS, THE BIS ULTRA CAN WARM AN AREA OF UP TO 2,000 SQ. FT. PLUS YOU HAVE THE OPTION OF CONNECTING IT TO YOUR FORCED AIR HEATING SYSTEM* FOR ADDED COMFORT AND PEACE OF MIND. EMBRACE

THE INTIMATE ATMOSPHERE OF THE BIS ULTRA AND WATCH IT CREATE A WHOLE NEW DIMENSION OF BEAUTY AND WARMTH INSIDE YOUR HOME.

Kindle your spirit



Victorian or Contemporary arch (24 kt. gold plated or black) cast iron doors, designed to complement today's most attractive homes.

EXPERIENCE THE WARMTH

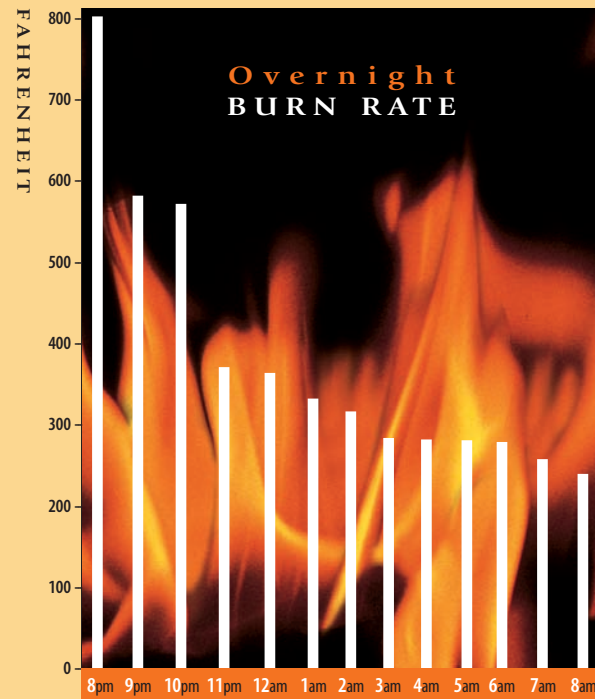
BIS
ULTRA

A higher standard of energy efficiency and performance.



Engineered with a secondary burn for the burn-off of gases, the BIS Ultra offers maximum energy efficiency while consuming the least amount of fuel. It's an investment that virtually pays for itself over time.

Square feet heating capacities are approximations only. Actual performance may vary depending upon home design and insulation, ceiling heights, climate, condition and type of wood used, appliance location, burn rate, accessories chosen, chimney installation and how the appliance is operated.

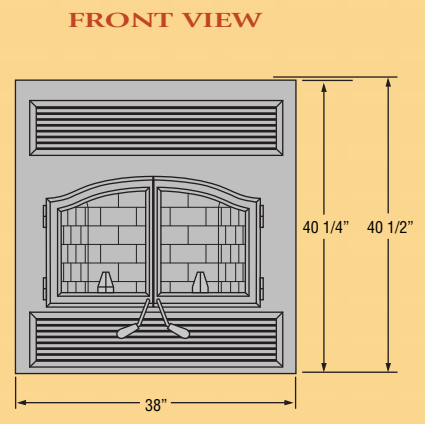
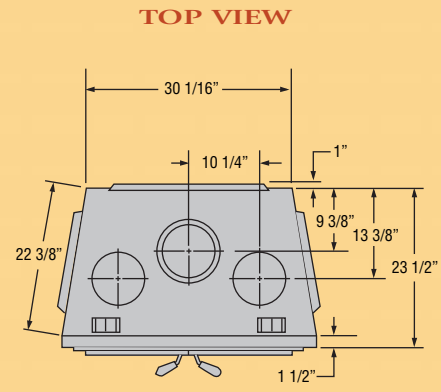
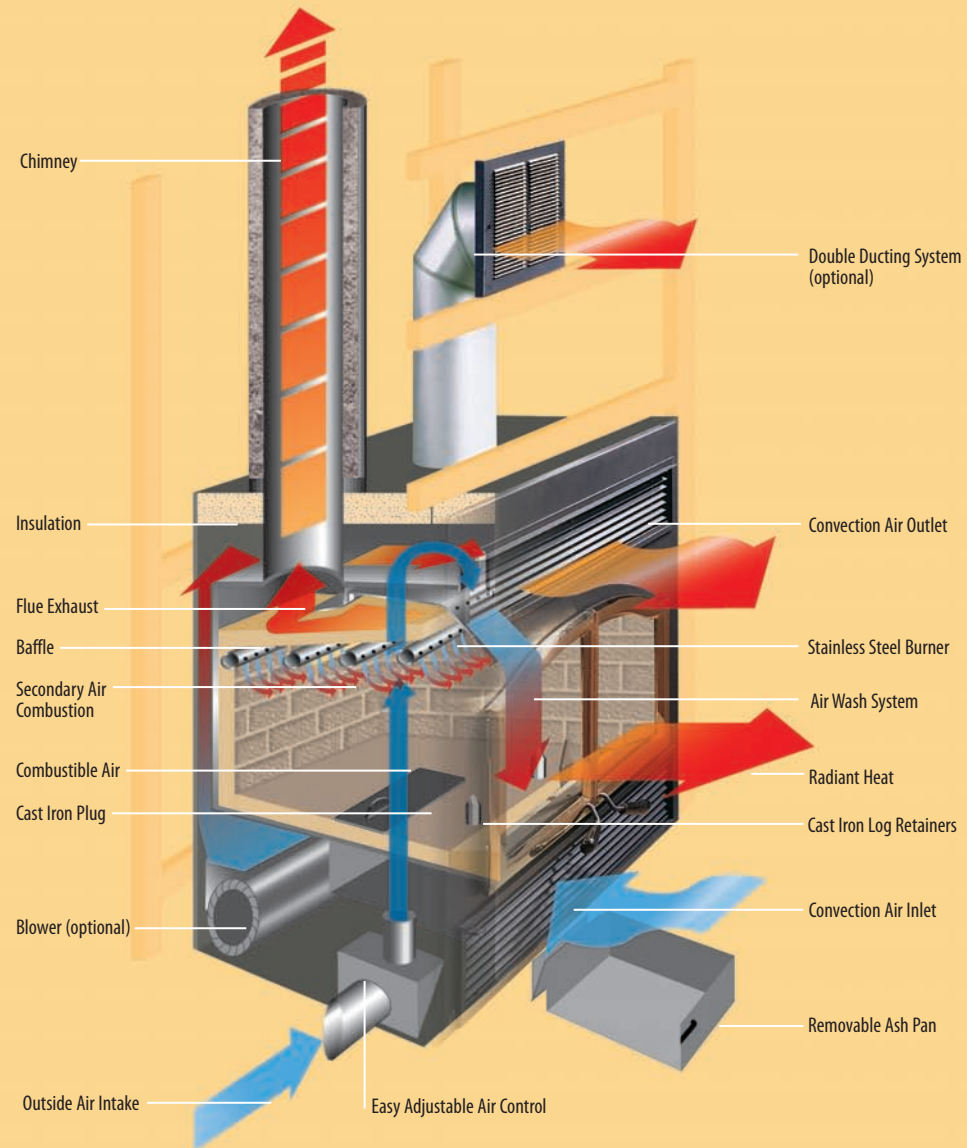


Results obtained from burning 20 lb. of dry maple wood (pre-heated with kindling for 1 hour before loading with dry maple wood).

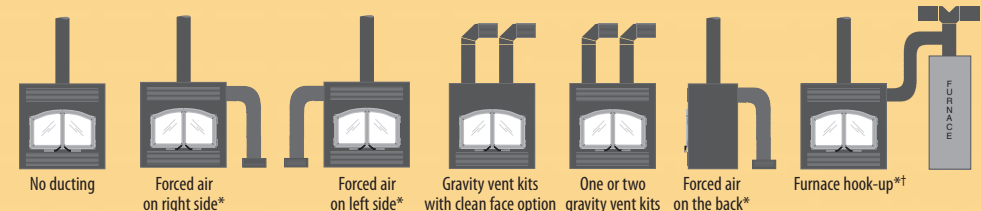
*Canada only.



ENGINEERED TO BE THE BEST



Thanks to a versatile VENTING SYSTEM, the BIS ULTRA can be connected in a variety of venting configurations. In fact, the BIS ULTRA can be set up in any area of your home, whether upstairs, downstairs or both.



IMPORTANT NOTES:
 As with any heating appliance, fireplace or stove, this appliance is extremely hot during operation. Read and understand all operating instructions before using this appliance. For further information, consult your dealer.
 Actual performance may vary depending upon home design and insulation, ceiling heights, climate, condition and type of wood used, appliance location, burn rate, accessories chosen, chimney installation and how the appliance is operated.
 Diagrams, illustrations and photographs are not to scale - consult installation instructions. Product designs, materials, dimensions, specifications, colours and prices are subject to change or discontinuance without notice.
 *Canada only
 †Not approved in some areas, refer to local building authorities before installation.
 Air-cooled chimney not recommended for use at elevations above 4,000 feet or in climates where temperatures will fall below 32° Fahrenheit (0° Celsius)



STANDARD FEATURES

- Amongst the largest non-catalytic combustion controlled fireplaces
- Sturdy cast iron doors
- 24kt Gold Plated or Black doors
- Ceramic glass provides extra margin of safety in cases of extreme heat
- Choice of 2 door styles: Victorian or Contemporary arch shape
- Decorative framed top and bottom louvers
- Removable frame for a clean face application
- Outside air kit (4" I.D. insulated flex pipe x 10 ft. long)
- Outside air adapter
- Refractories simulate a real masonry hearth
- Easy access ash pan
- Knock-out on side and back to connect forced air system

SPECIFICATIONS

- Zero clearance to combustible
- Up to 63% efficiency
- Up to 50,000 Btu
- Heats an area of up to 2,000 sq. ft.* (refer to overnight burn rate chart)
- Flue size 6" ASHT+, S2100+, Air Cooled
- Burn time up to 8-10 hours depending on type of wood used
- Weight - 400 lb.
- Maximum log size - 19"
- Easy adjustable air intake regulates burn time
- Warnock Hersey approved to ULC-S610 and UL 127 standards
- EPA approved and exceeds EPA standards by 36% with pollution emission levels of 4.8 gr/hr

OPTIONS

- Rigid firescreen** (2 doors)
- Gravity Vent Kits
 - Double duct in Brass or Black
 - Single duct in Brass or Black
- Forced Air Heating Kit*** for furnace hook-up
- Clean face option

* May vary depending on individual characteristics of home
 ** Not EPA approved
 *** Canada only

SECURITY CHIMNEYS INTERNATIONAL
 Security Chimneys International Ltd.
 2125 Monterey, Laval (Quebec)
 Canada, H7L 3T6
 Tel.: (450) 973-9999
 Fax: (450) 973-2222
 www.SecurityChimneys.com

Authorized Dealer