

6", 7" & 8" dia.

PROJET DW DOUBLE WALL CONNECTOR

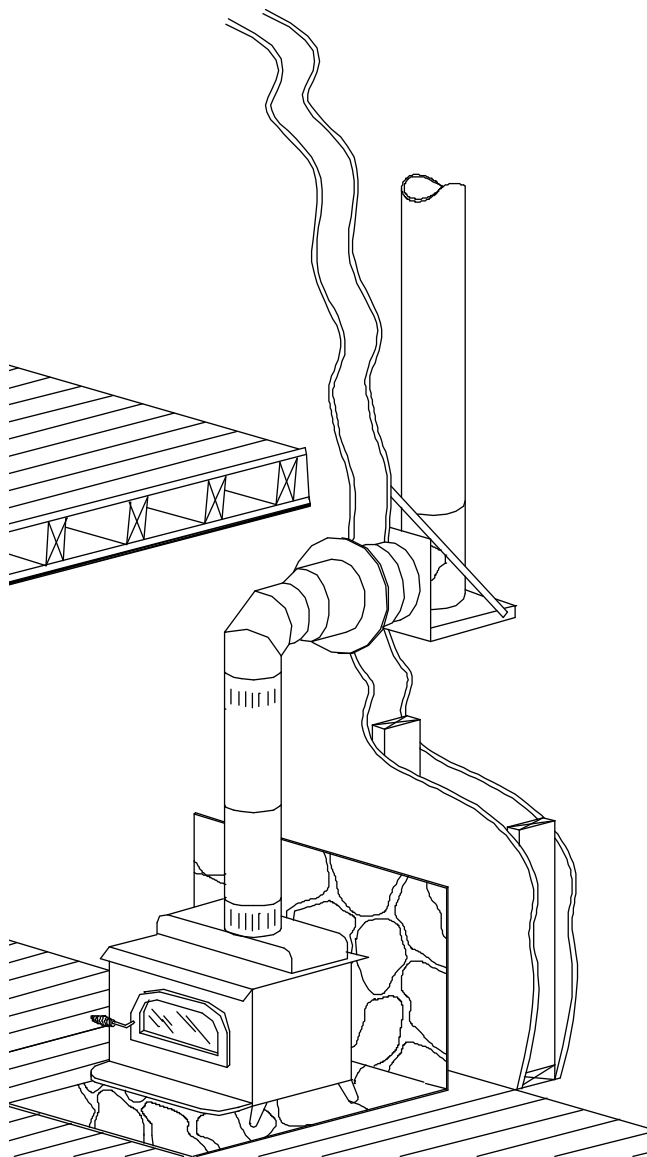
INSTALLATION AND OPERATING INSTRUCTIONS

THIS STOVE
CONNECTOR
HAS BEEN
LISTED AT

2100° F
1150° C

LISTED
ACCORDING TO:

ULC-S641
WH-PN-016



SECURITY CHIMNEYS INTERNATIONAL LTD
2125 Monterey St.,
Laval, Quebec, Canada
H7L 3T6

Read these instructions and keep them for future reference.

Install the connector as described in these instructions. Failure to do so will void the certification and the warranty of this connector.

WOOD AND COAL STOVES

If you are planning to install a wood stove, we recommend that you :

1. Choose a stove that has a label of a recognized Testing Laboratory (such as ULC, CSA, WH, UL or ICBO).
2. Choose the right size stove. Do not buy one larger than you need.
3. Connect only one appliance to a chimney.
4. Never overfire your stove. If any part of the stove or stove pipe is glowing red, then you are overfiring. Immediately close the stove's dampers until the system cools. The high temperatures caused by overfiring can permanently damage the stove and may overheat nearby combustible walls and furniture.
5. Install the stove and stove pipe as described in the Installation Instructions accompanying the stove. Be certain to maintain the required clearances to combustible construction.
6. Keep your flue gases between 300° F and 500° F. This will maximize efficiency while minimizing condensation and creosote formation.
Do not fill your stove with wood and allow it to smolder for 8 to 10 hours. This condition produces large amounts of creosote in the chimney.
7. Do not burn sea driftwood or treated wood. Salt (NaCl) and chemical components are highly corrosive to all types of stainless steel.

Warning : The PROJET DW stove connector must not be used as a chimney.

YOU CAN DO IT ... STEP BY STEP !

Congratulations! You have made a wise choice in your selection of a PROJET DW, stove connector. You have purchased a fine quality system, researched, developed and tested to precise standards of quality in manufacturing.

It's so easy to install ... you can do it step-by-step. Each component is designed to fit together perfectly and easily. If you are handy with a few basic tools and have a general knowledge of carpentry, you can install your PROJET DW stove connector system over a weekend or have a professional install it for you in a few hours.

Before you install your PROJET DW System, read these instructions carefully and follow them exactly.

PROJET DW Stove connector

List of components available:

PDL3A	Adjustable length (3" to 9")
PDL36A	Adjustable length (3" to 34")
PDL42A	Telescopic length (3'6" to 5'6")
PDL	Length 6", 12", 24" and 36"
PDE45	45° elbow
PDE90	90° elbow
PDT	Tee
PUP	Chimney adaptor
PDMA	Masonry chimney adaptor
PDAB	Stove adaptor
PDLW	Increaser
PDLR	Reducer
PDQ	Trim collar
PDQDX	Decorative collar
PDLK	Damper

GENERAL INFORMATION

CREOSOTE

Smoke from a wood fire always contains some unburned gases and a fog of unburned tarlike liquids. When these materials condense they form a dark brown or black deposit called creosote. Creosote formation in a chimney cannot be eliminated, but it can be minimized by:

1. Keeping the temperature of the gases in the chimney above 300°F.
2. Making small hot fires rather than slow burning, smoldering fires.

COAL

Some coals contain large quantities of Sulphur (up to 7%). When coal is burned, Sulphur and coal ashes are deposited in the chimney flue. This deposit combines with moisture to form a highly corrosive acid (Sulphuric Acid). In order to protect your chimney connector, we recommend that you:

1. Burn only low Sulphur coals (less than 1% Sulphur).
2. Have your chimney cleaned within 48 hours of shutting down your stove at the end of the heating season. Be certain that all the soot is removed. Wipe the chimney flue using a strong solution of baking soda and water. This can be done by wrapping a rag around a chimney cleaning brush, dipping it in the baking soda-water solution, then passing it through the chimney three or four times.

CHIMNEY OPERATION AND MAINTENANCE

Keep your chimney and connector clean.

Wood stoves can quickly create large deposits of creosote in the chimney. Some wood stoves can create enough creosote in two weeks to cause a chimney fire.

When using a wood stove, we recommend that you :

1. Initially inspect the chimney system weekly. From this you will learn how often it will be necessary to clean your chimney.
2. The chimney should be inspected at least once every 2 months during the heating season to determine if a creosote or soot build-up has occurred: if creosote or soot has accumulated, it should be removed to reduce the risk of chimney fire.
3. Have your chimney cleaned by a qualified chimney sweep. If you want to clean your chimney yourself, then clean your liner using plastic, wood or stainless steel brushes. Do not use a brush that will scratch the stainless steel interior of the chimney.
4. Do not expect chemical chimney cleaners to keep your chimney clean. Their use does not negate the necessity of periodically inspecting and cleaning your chimney.

CHIMNEY FIRES

If you are having a chimney fire, follow these steps :

1. Close all heater doors and combustion air controls.
2. Alert your family to the possible danger.
3. If you require assistance, alert your Fire Department.
4. If possible, use a dry chemical extinguisher, baking soda or sand to control the fire. Do not use water, as it may cause a dangerous steam explosion.
5. Watch for smouldering or fire on combustibles next to the stove, stove pipe and chimney. Check outside to ensure that sparks and hot embers coming out of the chimney are not igniting the roof.

6. Do not use the stove again until your chimney, connector and stove have been inspected by a qualified chimney sweep or Fire Department Inspector.

The chimney connector has been designed to withstand the intense heat of a chimney fire. Nevertheless, chimney fires are dangerous and should be avoided.

INSTALLATION NOTES

1. This double wall stove pipe is used to connect a solid, liquid or gas fired appliance to a factory built or masonry chimney.

Allowable Flue Gas temperatures :

Maximum continuous – 1000°F (540°C) U.S. / 1200°F (650°C) Can.

Brief forced firing – 1400°F (760°C)

Tested to 2100°F (1150°C) – 30 minutes

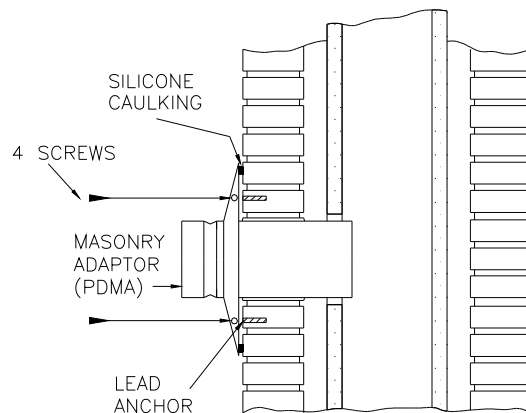
2. The clearance between the stove pipe and combustible material must not be less than 6 inches (15 cm).
3. Do not enclose this stove pipe.
4. This stove pipe must not pass through attics, closets, walls or ceilings.

5. **Mobile Home Installation : follow the mobile home stove installation instructions. Certain mobile home stoves may require greater clearances than 6 inches.**

MASONRY CHIMNEY

Have your chimney inspected by a qualified chimney sweep or Fire Department Inspector before using it. Masonry chimneys should only be used if they are in good condition and have been built to the National Building Code.

There should be a horizontal opening into the chimney through a non combustible wall. Fit the Masonry Adaptor (PDMA) into this hole. Attach the adaptor collar to the masonry wall using screws and masonry anchors. Seal the joint between the collar and the masonry with a high temperature silicone caulking.

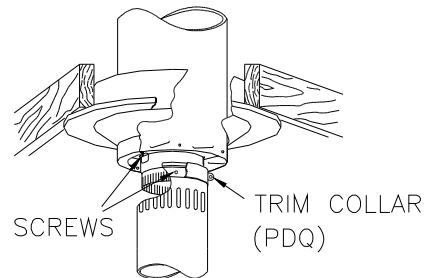


Continue with the instructions on page 5.

INSTALLATION INSTRUCTIONS

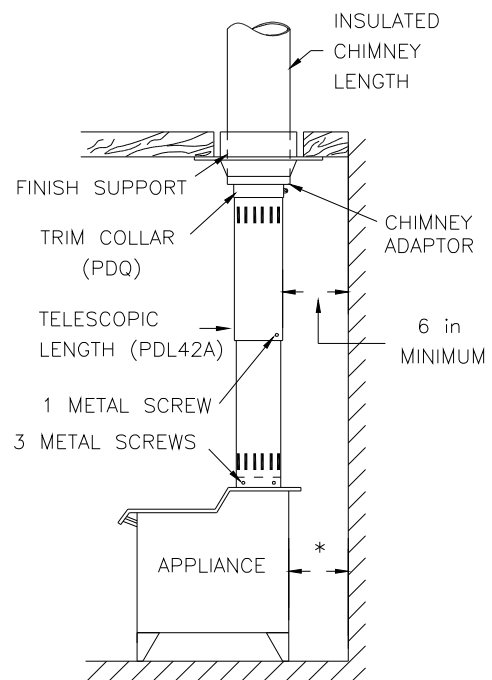
Install the chimney and stove in accordance with their Installation Instructions. The clearance between the stove connector and any combustible material must not be less than 6 in. (15 cm).

FOR MOST STRAIGHT INSTALLATIONS, only a telescopic length and trim collar will be required. The telescopic length adjusts from 3'6" to 5'6". **FOR INSTALLATIONS THAT REQUIRE MORE THAN ONE LENGTH, WE RECOMMEND THAT THE MAXIMUM VERTICAL LENGTH OF DOUBLE WALL BLACK CONNECTOR THAT CAN BE INSTALLED SHOULD BE 20'.**



STRAIGHT INSTALLATION

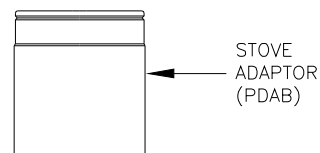
1. Attach the chimney adaptor to the female coupler at the bottom of the chimney using the 3 metal screws provided.
2. Stack the telescopic length on top of the appliance and attach it to the appliance using 3 metal screws provided.
3. Remove the screw locking the top and bottom of the telescopic length together. Extend the telescopic length up to the chimney and fit it snugly over the chimney adaptor. Attach it to the adaptor using the 3 metal screws.
4. Secure the top and bottom parts of the telescopic length together using one metal screw.
5. If you wish, you may cover the joint between the chimney and the chimney connector, using a trim collar (PDQ) or decorative collar (PDQDX).



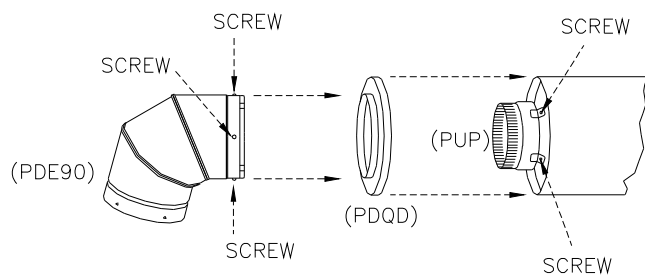
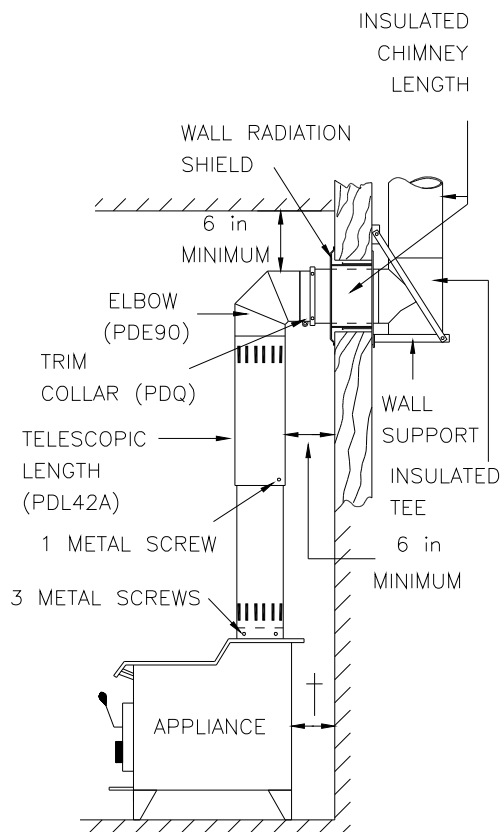
See appliance manufacturer installation instructions for this clearance.

STOVE ADAPTOR (PDAB)

Some stove collars are too thick for the telescopic length to fit over. In this case, install a stove adaptor (PDAB) on the stove. The telescopic length will fit on the adaptor.



OFFSET INSTALLATION



90° ELBOW

1. Attach the chimney adaptor to the bottom of the chimney using the 3 metal screws provided.
 2. Stack the telescopic length (PDL42A) on top of the appliance and attach it to the appliance using the 3 metal screws.
 3. Stack the 90° elbow (PDE90) on top of the telescopic length and push it down to lock it in place.
 4. Remove the screw locking the top and bottom of the telescopic length together in order to reach the necessary length.
 5. Use an adjustable (PDL3A) or fixed length (PDL) of stove pipe horizontally between the 90° elbow (PDE90) and chimney. Attach this length to the elbow and to the chimney adaptor, using the 3 metal screws provided.
 6. Secure the top and bottom parts of the telescopic length together using one metal screw.
 7. If you wish, you may cover the joint between the chimney and the chimney connector, using a trim collar or decorative collar.
- † See appliance manufacturer installation instructions for this clearance.

Elbow 45 DL		Length between elbows				
Diameter		none	6in	12in	24in	36in
6	Offset	2 ¼	5 ¼	9 ½	18	26 ½
	Rise	11 ¼	14 ¼	18 ½	27	35 ½
7	Offset	3	6	10 ¼	18 ¾	27 ¼
	Rise	12	15	19 ¼	27 ¾	36 ¼
8	Offset	3 ¼	6 ¼	10 ½	19	27 ½
	rise	13 ½	16 ½	20 ¾	29 ¼	37 ¾

SECURITY CHIMNEYS INTERNATIONAL, LTD. RESIDENTIAL CHIMNEY & VENTING PRODUCT LIMITED LIFETIME WARRANTY

THE WARRANTY

This Security Chimneys International, Ltd. (SCIL) Limited Lifetime Warranty warrants your residential vent and/or chimney system to be free from defects in material and workmanship at the time of manufacture. This Limited Lifetime Warranty includes all components and fittings, except termination caps. After installation, if covered components manufactured by SCIL are found to be defective in materials or workmanship during the Limited Lifetime Warranty period and while the Product remains at the site of the original installation, SCIL will, at its option, replace the covered components. SCIL reserves the right to replace covered components with an equivalent product and the replacement must be carried out in accordance with SCIL's recommendations. If replacement is not commercially practical, SCIL will, at its option, refund the purchase price or wholesale price of the SCIL product, whichever is applicable. Labor to replace SCIL components is not included. THERE ARE EXCLUSIONS AND LIMITATIONS to this Limited Lifetime Warranty as described herein.

COVERAGE COMMENCEMENT DATE

Warranty coverage begins on the date of installation. In the case of new home construction, warranty coverage begins on the date of first occupancy of the dwelling or six months after the sale of the Product by an independent SCIL dealer/distributor, whichever occurs earlier. The warranty shall commence no later than 24 months following the date of product shipment from SCIL, regardless of the installation or occupancy date.

EXCLUSIONS AND LIMITATIONS

This Limited Lifetime Warranty applies only if the Product is installed in the United States or Canada and only if used for the application for which it was designed and intended. The Product must be maintained in accordance with the printed instructions accompanying the Product and in compliance with all applicable installation and building codes and good trade practices.

This warranty is non-transferable and extends to the original owner only. The Product must be purchased through a listed supplier of SCIL and proof of purchase must be provided. SCIL will be responsible for the replacement of the residential vent and/or chimney system considered to be defective for the following periods:

Termination Caps – Replacement at no charge for 5 years from the date of installation, excluding labor

Components and fittings (excludes termination caps and labor) –

Year 1-10 – Replacement of all components and fittings.

Year 11-15 – Replacement at 75% off of the prevailing list price in effect at the time of replacement (25% of the retail list price paid by the consumer).

Year 16 + – Replacement at 50% off of the prevailing list price in effect at the time of replacement (50% of the retail list price paid by the consumer).

SCIL will not be responsible for: (a) damages caused by normal wear and tear, corrosion from salt air, accident, riot, fire, flood or acts of God; (b) damages caused by abuse, negligence, misuse, or unauthorized alteration or repair of the Product affecting its stability or performance. (The Product must be subject to normal use with approved fuels listed in the Operation Manual provided with the product. Where applicable, fuel products with abnormal burning characteristics, including but not limited to fuel such as driftwood, plywood and wood products using a binder may burn at excessive temperatures and may cause damage to the Product or may cause it to function improperly; (c) damages caused by failing to provide proper maintenance and service in accordance with the instructions provided with the Product; (d) damages, repairs or inefficiency resulting from faulty installation or application of the Product.

This Limited Lifetime Warranty covers only parts as provided herein. SCIL's entire liability is limited to the purchase price of this product. In no case shall SCIL be responsible for materials, components or construction which are not manufactured or supplied by SCIL or for the labor necessary to install, repair or remove such materials, components or construction. Additional utility bills incurred due to any malfunction or defect in equipment are not covered by this Limited Lifetime Warranty. All replacement or repair components will be shipped F.O.B. from the nearest stocking SCIL factory.

LIMITATION ON LIABILITY

It is expressly agreed and understood that SCIL's sole obligation and the purchaser's exclusive remedy under this warranty, under any other warranty, expressed or implied, or in contract, tort or otherwise, shall be limited to replacement, repair, or refund, as specified herein.

In no event shall SCIL be liable for any incidental or consequential damages caused by defects in the Product, whether such damage occurs or is discovered before or after replacement or repair, and whether such damage is caused by SCIL's negligence. SCIL has not made and does not make any representation or warranty of fitness for a particular use or purpose, and there is no implied condition of fitness for a particular use or purpose.

SCIL makes no expressed warranties except as stated in this Limited Lifetime Warranty. The duration of any implied warranty is limited to the duration of this expressed warranty.

No one is authorized to change this Limited Lifetime Warranty or to create for SCIL any other obligation or liability in connection with the Product. Some states and provinces do not allow the exclusion or limitation of incidental or consequential damages, so the above limitations or exclusions may not apply to you. The provisions of this Limited Lifetime Warranty are in addition to and not a modification of or subtraction from any statutory warranties and other rights and remedies provided by law.

INVESTIGATION OF CLAIMS AGAINST WARRANTY

SCIL reserves the right to investigate any and all claims against this Limited Lifetime Warranty and to decide, in its sole discretion, upon the method of settlement.

To receive the benefits and advantages described in this Limited Lifetime Warranty, the appliance must be installed and repaired by a licensed contractor approved by SCIL. Contact SCIL at the address provided herein to obtain a listing of approved dealers/distributors. **SCIL shall in no event be responsible for any warranty work done by a contractor that is not approved without first obtaining SCIL's prior written consent.**

HOW TO REGISTER A CLAIM AGAINST WARRANTY

In order for any claim under this warranty to be valid, you must contact the SCIL dealer/distributor from which you purchased the product. If you cannot locate the dealer/distributor, then you must notify SCIL in writing. SCIL must be notified of the claimed defect in writing within 90 days of the date of failure. Notices should be directed to the SCIL Warranty Department at 2125 Monterey Street, Laval, QC H7L 3T6.

RATING PLATE



LISTED DOUBLE WALL CONNECTOR
TUYAU DE RACCORDEMENT DOUBLE PAROI HOMOLOGUÉ
MODEL/MODELE DL

TESTED TO | ULC S-641M93
MIS A L'ÉSSAI SELON | WH-PN-016 (MAY/MAI 1993)

CLEARANCE TO COMBUSTIBLE MATERIALS | 6"
DÉGAGEMENT AUX MATÉRIAUX COMBUSTIBLES | 152mm

?SUITABLE FOR CONNECTION TO APPLIANCES BURNING
SOLID FUEL PRODUCING FLUE GASES OF 650° C(1200° F)
IN CAN. AND 540° C(1000° F) IN U.S. OR LESS.

?FOLLOW MANUFACTURER'S INSTALLATION INSTRUCTIONS
PACKAGED WITH THE ASSEMBLY.

CAUTION
?DO NOT ENCLOSE. THIS CONNECTOR MUST NOT
PASS THROUGH FLOORS OR CEILINGS.



UP
HAUT

?POUR RACCORDEMENT AVEC DES APPAREILS A COMBUSTIBLE
SOLIDE PRODUISANT DES GAZ D'ÉCHAPPEMENT DE 650° C
(1200° F) AU CANADA ET 540° C(1000° F) AU E.U. ET MOINS.

?INSTALLER CONFORMÉMENT AUX DIRECTIVES DU FABRICANT.
ATTENTION

?NE JAMAIS ENFERMER. CE TUYAU NE DOIT JAMAIS
TRAVERSER UN PLAFOND OU UN MUR.

MADE IN CANADA
FABRIQUÉ AU CANADA

SECURITY CHIMNEYS
INTERNATIONAL LTD



CHEMINÉES SÉCURITÉ
INTERNATIONAL LTÉE

LAVAL, QUÉBEC, CANADA

NP68 REV.#8